



**Features:**

- For use on tiled or fabricated shower.
- 6 mm (1/4") thick tempered safety glass door section with continuous hinge rail, full-length clear vinyl magnetic door latch, clear vinyl door sweep, and 6" Dimensional pull secured through the glass.
- 10 mm (3/8") thick tempered safety glass inline/return panel.
- Frameless design with adjustable wall channel for out of plumb walls. (Note - HS-180 models with inline panels greater than 30" width and HS-90 models have top support bar for panel stability; HS-290 & 290B models have top corner clamp for panel stability)
- 70" enclosure height. Optional heights available.

**Options:**

- Finishes available in Silver (Chrome), Brushed Nickel, Gold (Polished Brass), Matte Black, Oil Rub Bronze, Satin Silver, and custom powder coat colours.
- Glass available in Bronze, Bubbles, Clear, Gluechip, Gray, Rain, Satin Etch (Crystal Etch) and Starphire (Krystal-Clear).
- EasyClean10 glass treatment.
- Variety of Designer Handles and Accessories, refer to options sheet.
- Filler jamba for wall offsets.

**Models/Configurations:**

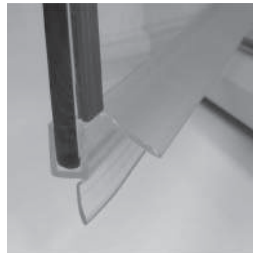
- **HS-180** swing door and inline panel
- **HS-90** swing door and return panel
- **HS-290** swing door, inline panel and return panel
- **HS-290B** swing door, notched inline panel and return panel on buttress



6" Dimensional pull secured through the glass.



Innovative continuous hinge design provides superior durability.



Superior water retention featuring a full-length magnetic door closure system and a one piece clear polycarbonate drip deflector with clear vinyl sweep.



Wall mounted support bar used on HS-90 and select HS-180 models for panel stability. Top corner clamp used for panel stability on HS-290 & HS-290B models.



**ORDER AS MODEL # FOLLOWED BY OPTION SUFFIX**  
**EXAMPLE: HS-180-47.5-74.5-LH-DP88-S/C-EC10**

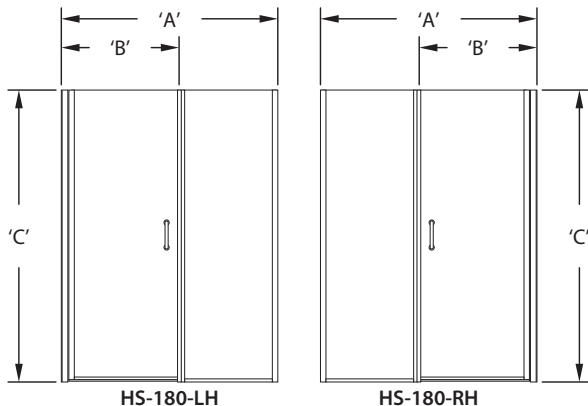
MODEL #	WIDTH ('A') <sup>(1,2)</sup>	DOOR ('B') <sup>(3)</sup>	HEIGHT ('C')
HS-180-35.5	35 1/2" - 37"	29 1/4"	70"
HS-180-36.5	36 1/2" - 38"	29 1/4"	70"
HS-180-37	37" - 38 1/2"	29 1/4"	70"
HS-180-38	38" - 39 1/2"	29 1/4"	70"
HS-180-39.5	39 1/2" - 41"	29 1/4"	70"
HS-180-41	41" - 42 1/2"	29 1/4"	70"
HS-180-42	42" - 43 1/2"	29 1/4"	70"
HS-180-43	43" - 44 1/2"	29 1/4"	70"
HS-180-44	44" - 45 1/2"	29 1/4"	70"
HS-180-45	45" - 46 1/2"	29 1/4"	70"
HS-180-45.5	45 1/2" - 47"	29 1/4"	70"
HS-180-47.5	47 1/2" - 48"	29 1/4"	70"
HS-180-51.5	51 1/2" - 53"	29 1/4"	70"
HS-180-52	52" - 53 1/2"	29 1/4"	70"
HS-180-53	53" - 54 1/2"	29 1/4"	70"
HS-180-54	54" - 55 1/2"	29 1/4"	70"
HS-180-55	55" - 56 1/2"	29 1/4"	70"
HS-180-56	56" - 57 1/2"	29 1/4"	70"
HS-180-57	57" - 58 1/2"	29 1/4"	70"
HS-180-57.5	57 1/2" - 59"	29 1/4"	70"
HS-180-63.5 <sup>(4)</sup>	63 1/2" - 65"	29 1/4"	70"
HS-180-69.5 <sup>(4)</sup>	69 1/2" - 71"	29 1/4"	70"
HS-180-4844	Hytec AC4844/5/6	29 1/4"	73"

**CUSTOM SIZE -**

HS-180-Q <sup>(5)</sup>	UP TO 72"	UP TO 34"	70"
-------------------------	-----------	-----------	-----

**NOTES**

- (1) Prior to ordering, confirm that enclosure's adjustment range fits both top and bottom width of finished opening.
- (2) If walls are not flat, filler jambs may be required, contact for more info.
- (3) Specify left hand (suffix **-LH**) or right hand (suffix **-RH**) hinge swing.
- (4) Includes support bar for panel stability.
- (5) Fill out Custom Door Quote Request Form.
- (6) Swing door width restrictions apply, contact for more info.
- (7) Refer to Options spec sheet for other Handle and Accessory options.



**HEIGHT (optional)**

74.5	74 1/2" Height <sup>(6)</sup>
_____	Custom Height up to 79" <sup>(6)</sup>

**DOOR SWING <sup>(3)</sup>**

LH	Left Hand Hinge
RH	Right Hand Hinge

**HANDLE (optional) <sup>(7)</sup>**

AP66 / 88	6" or 8" Arc Pull
DP88	8" Dimensional Pull
LP66 / 88	6" or 8" Ladder Pull
QP66 / 88	6" or 8" Qube Pull
SP66 / 88	6" or 8" Simplicity Pull
VP66 / 88	6" or 8" Vintage Pull
DB2424	24" Dimensional Double Towel Bar
DBP246	24" Dimensional Towel Bar & 6" Pull
DBP248	24" Dimensional Towel Bar & 8" Pull
QB2424	24" Qube Double Towel Bar
QBP246	24" Qube Towel Bar & 6" Pull
QBP248	24" Qube Towel Bar & 8" Pull
SB2424	24" Simplicity Double Towel Bar
SBP246	24" Simplicity Towel Bar & 6" Pull
SBP248	24" Simplicity Towel Bar & 8" Pull
VB2424	24" Vintage Double Towel Bar
VBP246	24" Vintage Towel Bar & 6" Pull
VBP248	24" Vintage Towel Bar & 8" Pull
OTHER	_____

**ACCESSORY (optional) <sup>(5,7)</sup>**

DB18 / 24	18" or 24" Dimensional Towel Bar
QB18 / 24	18" or 24" Qube Towel Bar
SB18 / 24	18" or 24" Simplicity Towel Bar
VB18 / 24	18" or 24" Vintage Towel Bar
DH	Dimensional Robe Hook
GH	Globe Robe Hook
SH	Simplicity Robe Hook
VH	Vintage Robe Hook
OTHER	_____

**OPTIONS**

F	Filler Jamb (for wall offset) <sup>(2)</sup>
---	--

**FINISH**

BN	Brushed Nickel
G	Gold (Polished Brass)
MB	Matte Black
ORB	Oil Rub Bronze
S	Silver (Chrome)
SS	Satin Silver

**GLASS**

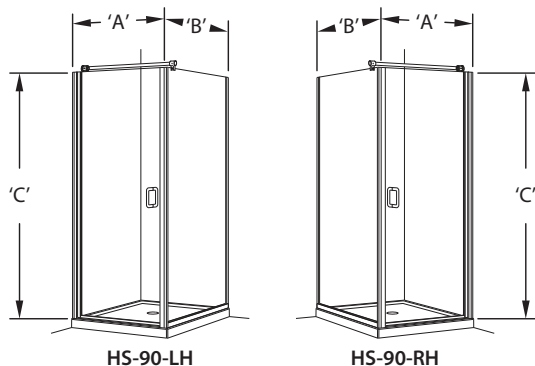
BB	Bubbles
BR	Bronze
C	Clear
GY	Gray
GL	Gluechip
R	Rain
SE	Satin Etch (Crystal Etch)
ST	Starphire (Krystal-Clear)
EC10	EasyClean10 Glass Treatment

**ORDER AS MODEL # FOLLOWED BY OPTION SUFFIX**  
**EXAMPLE: HS-90-34-74.5-LH-DP88-S/C-EC10**

<b>MODEL # <sup>(1)</sup></b>	<b>CENTRELINE <sup>(2)</sup></b> <b>('A') x ('B')</b>	<b>HEIGHT ('C')</b>
HS-90-29.5	29 1/2" x 29 1/2"	70"
HS-90-30	30" x 30"	70"
HS-90-30.5	30 1/2" x 30 1/2"	70"
HS-90-31	31" x 31"	70"
HS-90-31.5	31 1/2" x 31 1/2"	70"
HS-90-32	32" x 32"	70"
HS-90-32.5	32 1/2" x 32 1/2"	70"
HS-90-33	33" x 33"	70"
HS-90-33.5	33 1/2" x 33 1/2"	70"
HS-90-34	34" x 34"	70"
HS-90-34.5	34 1/2" x 34 1/2"	70"
HS-90-35	35" x 35"	70"
HS-90-35.5	35 1/2" x 35 1/2"	70"
<b>CUSTOM SIZE -</b>		
HS-90-Q <sup>(3)</sup>	UP TO 36" X 36"	70"

**NOTES**

- (1) Specify left hand (suffix -LH) or right hand (suffix -RH) hinge swing.
- (2) If walls are not flat, filler jambs may be required, contact for more info.
- (3) Fill out Custom Door Quote Request Form.
- (4) Swing door width restrictions apply, contact for more info.
- (5) Refer to Options spec sheet for other Handle and Accessory options.



**HEIGHT (optional)**  
74.5 74 1/2" Height <sup>(4)</sup>  
\_\_\_\_\_ Custom Height up to 79" <sup>(4)</sup>

**DOOR SWING <sup>(1)</sup>**  
LH Left Hand Hinge  
RH Right Hand Hinge

**HANDLE (optional) <sup>(5)</sup>**  
AP66 / 88 6" or 8" Arc Pull  
DP88 8" Dimensional Pull  
LP66 / 88 6" or 8" Ladder Pull  
QP66 / 88 6" or 8" Qube Pull  
SP66 / 88 6" or 8" Simplicity Pull  
VP66 / 88 6" or 8" Vintage Pull  
DB2424 24" Dimensional Double Towel Bar  
DBP246 24" Dimensional Towel Bar & 6" Pull  
DBP248 24" Dimensional Towel Bar & 8" Pull  
QB2424 24" Qube Double Towel Bar  
QBP246 24" Qube Towel Bar & 6" Pull  
QBP248 24" Qube Towel Bar & 8" Pull  
SB2424 24" Simplicity Double Towel Bar  
SBP246 24" Simplicity Towel Bar & 6" Pull  
SBP248 24" Simplicity Towel Bar & 8" Pull  
VB2424 24" Vintage Double Towel Bar  
VBP246 24" Vintage Towel Bar & 6" Pull  
VBP248 24" Vintage Towel Bar & 8" Pull  
OTHER \_\_\_\_\_

**ACCESSORY (optional) <sup>(3, 5)</sup>**  
DB18 / 24 18" or 24" Dimensional Towel Bar  
QB18 / 24 18" or 24" Qube Towel Bar  
SB18 / 24 18" or 24" Simplicity Towel Bar  
VB18 / 24 18" or 24" Vintage Towel Bar  
DH Dimensional Robe Hook  
GH Globe Robe Hook  
SH Simplicity Robe Hook  
VH Vintage Robe Hook  
OTHER \_\_\_\_\_

**OPTIONS**  
F Filler Jamb (for wall offset) <sup>(2)</sup>

**FINISH**  
BN Brushed Nickel  
G Gold (Polished Brass)  
MB Matte Black  
ORB Oil Rub Bronze  
S Silver (Chrome)  
SS Satin Silver

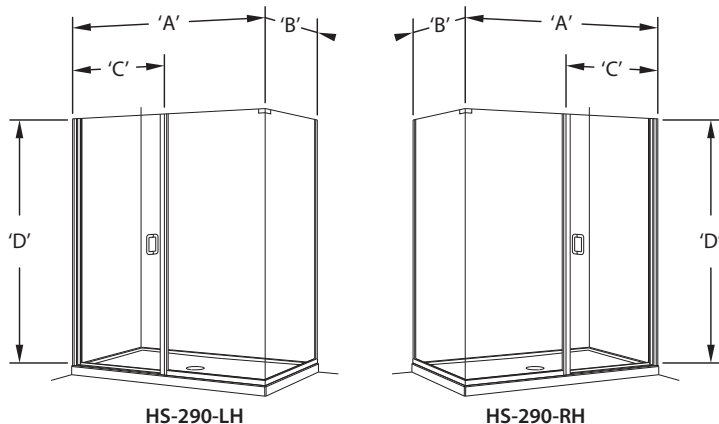
**GLASS**  
BB Bubbles  
BR Bronze  
C Clear  
GY Gray  
GL Gluechip  
R Rain  
SE Satin Etch (Crystal Etch)  
ST Starphire (Krystal-Clear)  
EC10 EasyClean10 Glass Treatment

**ORDER AS MODEL # FOLLOWED BY OPTION SUFFIX**  
**EXAMPLE: HS-290-6030-74.5-LH-DP88-S/C-EC10**

<b>MODEL #</b>	<b>CENTRELINE <sup>(1)</sup></b> <b>('A') x ('B')</b>	<b>DOOR ('C') <sup>(2)</sup></b>	<b>HEIGHT ('D')</b>
HS-290-4232	39 1/2" x 29 1/2"	29 1/4"	70"
HS-290-4236	39 1/2" x 33 1/2"	29 1/4"	70"
HS-290-4242	39 1/2" x 39 1/2"	29 1/4"	70"
HS-290-4830	45 1/2" x 27 1/2"	29 1/4"	70"
HS-290-4832	45 1/2" x 29 1/2"	29 1/4"	70"
HS-290-4834	45 1/2" x 31 1/2"	29 1/4"	70"
HS-290-4836	45 1/2" x 33 1/2"	29 1/4"	70"
HS-290-4842	45 1/2" x 39 1/2"	29 1/4"	70"
HS-290-4848	45 1/2" x 45 1/2"	29 1/4"	70"
HS-290-6030	57 1/2" x 27 1/2"	29 1/4"	70"
HS-290-6032	57 1/2" x 29 1/2"	29 1/4"	70"
HS-290-6034	57 1/2" x 31 1/2"	29 1/4"	70"
HS-290-6036	57 1/2" x 33 1/2"	29 1/4"	70"
HS-290-6042	57 1/2" x 39 1/2"	29 1/4"	70"
HS-290-6632	63 1/2" x 29 1/2"	29 1/4"	70"
HS-290-6636	63 1/2" x 33 1/2"	29 1/4"	70"
HS-290-7232	69 1/2" x 29 1/2"	29 1/4"	70"
HS-290-7236	69 1/2" x 33 1/2"	29 1/4"	70"
<b>CUSTOM SIZE -</b> <b>HS-290-Q <sup>(3)</sup></b>	<b>UP TO 108" TOTAL</b>	<b>UP TO 34"</b>	<b>70"</b>

**NOTES**

- (1) If walls are not flat, filler jambs may be required, contact for more info.
- (2) Specify left hand (suffix **-LH**) or right hand (suffix **-RH**) hinge swing.
- (3) Fill out Custom Door Quote Request Form.
- (4) Swing door width restrictions apply, contact for more info.
- (5) Refer to Options spec sheet for other Handle and Accessory options.



**HEIGHT (optional)**  
**74.5** 74 1/2" Height <sup>(4)</sup>  
\_\_\_\_\_ Custom Height up to 79" <sup>(4)</sup>

**DOOR SWING <sup>(2)</sup>**  
**LH** Left Hand Hinge  
**RH** Right Hand Hinge

**HANDLE (optional) <sup>(5)</sup>**  
**AP66 / 88** 6" or 8" Arc Pull  
**DP88** 8" Dimensional Pull  
**LP66 / 88** 6" or 8" Ladder Pull  
**QP66 / 88** 6" or 8" Qube Pull  
**SP66 / 88** 6" or 8" Simplicity Pull  
**VP66 / 88** 6" or 8" Vintage Pull  
**DB2424** 24" Dimensional Double Towel Bar  
**DBP246** 24" Dimensional Towel Bar & 6" Pull  
**DBP248** 24" Dimensional Towel Bar & 8" Pull  
**QB2424** 24" Qube Double Towel Bar  
**QBP246** 24" Qube Towel Bar & 6" Pull  
**QBP248** 24" Qube Towel Bar & 8" Pull  
**SB2424** 24" Simplicity Double Towel Bar  
**SBP246** 24" Simplicity Towel Bar & 6" Pull  
**SBP248** 24" Simplicity Towel Bar & 8" Pull  
**VB2424** 24" Vintage Double Towel Bar  
**VBP246** 24" Vintage Towel Bar & 6" Pull  
**VBP248** 24" Vintage Towel Bar & 8" Pull  
**OTHER** \_\_\_\_\_

**ACCESSORY (optional) <sup>(3, 5)</sup>**  
**DB18 / 24** 18" or 24" Dimensional Towel Bar  
**QB18 / 24** 18" or 24" Qube Towel Bar  
**SB18 / 24** 18" or 24" Simplicity Towel Bar  
**VB18 / 24** 18" or 24" Vintage Towel Bar  
**DH** Dimensional Robe Hook  
**GH** Globe Robe Hook  
**SH** Simplicity Robe Hook  
**VH** Vintage Robe Hook  
**OTHER** \_\_\_\_\_

**OPTIONS**  
**F** Filler Jamb (for wall offset) <sup>(1)</sup>

**FINISH**  
**BN** Brushed Nickel  
**G** Gold (Polished Brass)  
**MB** Matte Black  
**ORB** Oil Rub Bronze  
**S** Silver (Chrome)  
**SS** Satin Silver

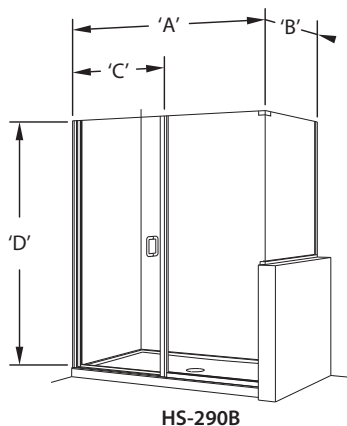
**GLASS**  
**BB** Bubbles  
**BR** Bronze  
**C** Clear  
**GY** Gray  
**GL** Gluechip  
**R** Rain  
**SE** Satin Etch (Crystal Etch)  
**ST** Starphire (Krystal-Clear)  
**EC10** EasyClean10 Glass Treatment

**ORDER AS MODEL # FOLLOWED BY OPTION SUFFIX**  
**EXAMPLE: HS-290B-9190-74.5-DP88-S/C-EC10**

<u>MODEL #</u>	<u>CENTRELINE</u> <sup>(1)</sup> <u>('A' x 'B')</u>	<u>DOOR ('C')</u>	<u>HEIGHT ('D')</u>
HS-290B-4824 <sup>(2)</sup>	Hytec 4824	29 1/4"	70"
HS-290B-4825 <sup>(2)</sup>	Hytec 4825	29 1/4"	70"
HS-290B-9180	Hytec AC9180	29 1/4"	70"
HS-290B-9181	Hytec AC9181	29 1/4"	70"
HS-290B-9190	Hytec AC9190	29 1/4"	70"
HS-290B-9191	Hytec AC9191	29 1/4"	70"
HS-290B-9376	Hytec AC9376	29 1/4"	70"
HS-290B-9377	Hytec AC9377	29 1/4"	70"
HS-290B-10836	Hytec AC10836	29 1/4"	70"
HS-290B-10837	Hytec AC10837	29 1/4"	70"
<b>CUSTOM SIZE -</b>			
HS-290B-Q <sup>(3)</sup>	UP TO 108" TOTAL	UP TO 35"	70"

**NOTES**

- (1) If walls are not flat, filler jambs may be required, contact for more info.
- (2) Not available with taller height
- (3) Fill out Custom Door Quote Request Form.
- (4) Swing door width restrictions apply, contact for more info.
- (5) Refer to Options spec sheet for other Handle and Accessory options.



**HEIGHT (optional)**  
**74.5** 74 1/2" Height <sup>(4)</sup>  
\_\_\_\_\_ Custom Height up to 79" <sup>(4)</sup>

**HANDLE (optional)** <sup>(5)</sup>  
**AP66 / 88** 6" or 8" Arc Pull  
**DP88** 8" Dimensional Pull  
**LP66 / 88** 6" or 8" Ladder Pull  
**QP66 / 88** 6" or 8" Qube Pull  
**SP66 / 88** 6" or 8" Simplicity Pull  
**VP66 / 88** 6" or 8" Vintage Pull  
**DB2424** 24" Dimensional Double Towel Bar  
**DBP246** 24" Dimensional Towel Bar & 6" Pull  
**DBP248** 24" Dimensional Towel Bar & 8" Pull  
**QB2424** 24" Qube Double Towel Bar  
**QBP246** 24" Qube Towel Bar & 6" Pull  
**QBP248** 24" Qube Towel Bar & 8" Pull  
**SB2424** 24" Simplicity Double Towel Bar  
**SBP246** 24" Simplicity Towel Bar & 6" Pull  
**SBP248** 24" Simplicity Towel Bar & 8" Pull  
**VB2424** 24" Vintage Double Towel Bar  
**VBP246** 24" Vintage Towel Bar & 6" Pull  
**VBP248** 24" Vintage Towel Bar & 8" Pull  
**OTHER** \_\_\_\_\_

**ACCESSORY (optional)** <sup>(3, 5)</sup>  
**DB18 / 24** 18" or 24" Dimensional Towel Bar  
**QB18 / 24** 18" or 24" Qube Towel Bar  
**SB18 / 24** 18" or 24" Simplicity Towel Bar  
**VB18 / 24** 18" or 24" Vintage Towel Bar  
**DH** Dimensional Robe Hook  
**GH** Globe Robe Hook  
**SH** Simplicity Robe Hook  
**VH** Vintage Robe Hook  
**OTHER** \_\_\_\_\_

**OPTIONS**  
**F** Filler Jamb (for wall offset) <sup>(2)</sup>

**FINISH**  
**BN** Brushed Nickel  
**G** Gold (Polished Brass)  
**MB** Matte Black  
**ORB** Oil Rub Bronze  
**S** Silver (Chrome)  
**SS** Satin Silver

**GLASS**  
**BB** Bubbles  
**BR** Bronze  
**C** Clear  
**GY** Gray  
**GL** Gluechip  
**R** Rain  
**SE** Satin Etch (Crystal Etch)  
**ST** Starphire (Krystal-Clear)  
**EC10** EasyClean10 Glass Treatment