



HS-180-57.5-LH-S/C

Features:

- For use on tiled or fabricated shower.
- 6 mm (1/4") thick tempered safety glass door section with continuous hinge rail, full-length clear vinyl magnetic door latch, clear vinyl door sweep, and 6" Dimensional pull secured through the glass.
- 10 mm (3/8") thick tempered safety glass inline/return panel.
- Frameless design with adjustable wall channel for out of plumb walls. (Note - HS-180 models with inline panels greater than 30" width and HS-90 models have top support bar for panel stability; HS-290 & 290B models have top corner clamp for panel stability)
- 70" enclosure height. Optional heights available.

Options:

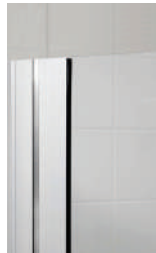
- Finishes available in Silver (Chrome), Brushed Nickel, Gold (Polished Brass), Matte Black, Oil Rub Bronze, Satin Silver, and custom powder coat colours.
- Glass available in Bronze, Bubbles, Clear, Gluechip, Gray, Rain, Satin Etch (Crystal Etch) and Starphire (Krystal-Clear).
- EasyClean10 glass treatment.
- Variety of Designer Handles and Accessories, refer to options sheet.
- Filler jamba for wall offsets.

Models/Configurations:

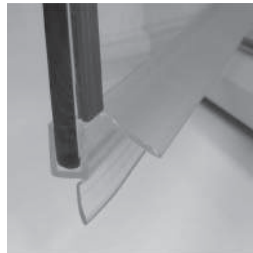
- **HS-180** swing door and inline panel
- **HS-90** swing door and return panel
- **HS-290** swing door, inline panel and return panel
- **HS-290B** swing door, notched inline panel and return panel on buttress



6" Dimensional pull secured through the glass.



Innovative continuous hinge design provides superior durability.



Superior water retention featuring a full-length magnetic door closure system and a one piece clear polycarbonate drip deflector with clear vinyl sweep.



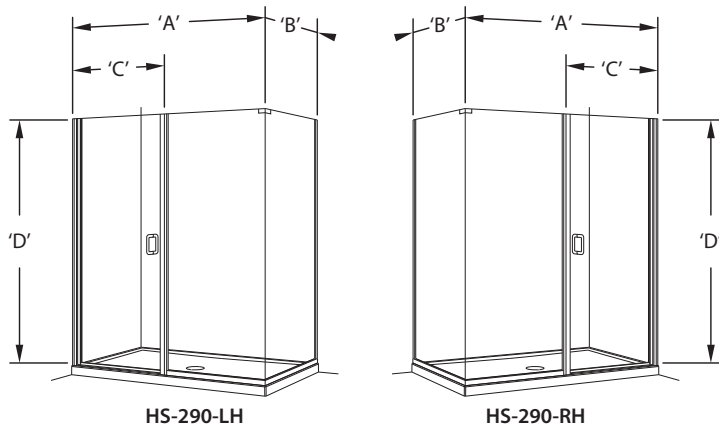
Wall mounted support bar used on HS-90 and select HS-180 models for panel stability. Top corner clamp used for panel stability on HS-290 & HS-290B models.

ORDER AS MODEL # FOLLOWED BY OPTION SUFFIX
EXAMPLE: HS-290-6030-74.5-LH-DP88-S/C-EC10

MODEL #	CENTRELINE ⁽¹⁾ ('A') x ('B')	DOOR ('C') ⁽²⁾	HEIGHT ('D')
HS-290-4232	39 1/2" x 29 1/2"	29 1/4"	70"
HS-290-4236	39 1/2" x 33 1/2"	29 1/4"	70"
HS-290-4242	39 1/2" x 39 1/2"	29 1/4"	70"
HS-290-4830	45 1/2" x 27 1/2"	29 1/4"	70"
HS-290-4832	45 1/2" x 29 1/2"	29 1/4"	70"
HS-290-4834	45 1/2" x 31 1/2"	29 1/4"	70"
HS-290-4836	45 1/2" x 33 1/2"	29 1/4"	70"
HS-290-4842	45 1/2" x 39 1/2"	29 1/4"	70"
HS-290-4848	45 1/2" x 45 1/2"	29 1/4"	70"
HS-290-6030	57 1/2" x 27 1/2"	29 1/4"	70"
HS-290-6032	57 1/2" x 29 1/2"	29 1/4"	70"
HS-290-6034	57 1/2" x 31 1/2"	29 1/4"	70"
HS-290-6036	57 1/2" x 33 1/2"	29 1/4"	70"
HS-290-6042	57 1/2" x 39 1/2"	29 1/4"	70"
HS-290-6632	63 1/2" x 29 1/2"	29 1/4"	70"
HS-290-6636	63 1/2" x 33 1/2"	29 1/4"	70"
HS-290-7232	69 1/2" x 29 1/2"	29 1/4"	70"
HS-290-7236	69 1/2" x 33 1/2"	29 1/4"	70"
CUSTOM SIZE - HS-290-Q ⁽³⁾	UP TO 108" TOTAL	UP TO 34"	70"

NOTES

- (1) If walls are not flat, filler jambs may be required, contact for more info.
- (2) Specify left hand (suffix **-LH**) or right hand (suffix **-RH**) hinge swing.
- (3) Fill out Custom Door Quote Request Form.
- (4) Swing door width restrictions apply, contact for more info.
- (5) Refer to Options spec sheet for other Handle and Accessory options.



HEIGHT (optional)
74.5 74 1/2" Height ⁽⁴⁾
_____ Custom Height up to 79" ⁽⁴⁾

DOOR SWING ⁽²⁾
LH Left Hand Hinge
RH Right Hand Hinge

HANDLE (optional) ⁽⁵⁾
AP66 / 88 6" or 8" Arc Pull
DP88 8" Dimensional Pull
LP66 / 88 6" or 8" Ladder Pull
QP66 / 88 6" or 8" Qube Pull
SP66 / 88 6" or 8" Simplicity Pull
VP66 / 88 6" or 8" Vintage Pull
DB2424 24" Dimensional Double Towel Bar
DBP246 24" Dimensional Towel Bar & 6" Pull
DBP248 24" Dimensional Towel Bar & 8" Pull
QB2424 24" Qube Double Towel Bar
QBP246 24" Qube Towel Bar & 6" Pull
QBP248 24" Qube Towel Bar & 8" Pull
SB2424 24" Simplicity Double Towel Bar
SBP246 24" Simplicity Towel Bar & 6" Pull
SBP248 24" Simplicity Towel Bar & 8" Pull
VB2424 24" Vintage Double Towel Bar
VBP246 24" Vintage Towel Bar & 6" Pull
VBP248 24" Vintage Towel Bar & 8" Pull
OTHER _____

ACCESSORY (optional) ^(3, 5)
DB18 / 24 18" or 24" Dimensional Towel Bar
QB18 / 24 18" or 24" Qube Towel Bar
SB18 / 24 18" or 24" Simplicity Towel Bar
VB18 / 24 18" or 24" Vintage Towel Bar
DH Dimensional Robe Hook
GH Globe Robe Hook
SH Simplicity Robe Hook
VH Vintage Robe Hook
OTHER _____

OPTIONS
F Filler Jamb (for wall offset) ⁽¹⁾

FINISH
BN Brushed Nickel
G Gold (Polished Brass)
MB Matte Black
ORB Oil Rub Bronze
S Silver (Chrome)
SS Satin Silver

GLASS
BB Bubbles
BR Bronze
C Clear
GY Gray
GL Gluechip
R Rain
SE Satin Etch (Crystal Etch)
ST Starphire (Krystal-Clear)
EC10 EasyClean10 Glass Treatment