



VS-NEO-Q-S/C

Features:

- For use on tiled or fabricated shower.
- Semi-frameless 5 mm (3/16") tempered safety glass door section with continuous hinge rail, full-length magnetic door latch, clear vinyl door sweep and compression mounted easy-grip handle.
- Framed 5 mm (3/16") tempered safety glass inline/return panels.
- Adjustable wall channels for out of plumb walls.
- 66-1/2" swing door height, 69" enclosure height. Optional heights available.

Options:

- Finishes available in Silver (Chrome), Brushed Nickel, Gold (Polished Brass), Matte Black, Oil Rub Bronze, Satin Silver, and custom powder coat colours.
- Glass available in Bronze, Clear, Gluechip, Gray, Obscure, Rain, and Velvex.
- EasyClean10 glass treatment.
- Silhouette Door (6mm door panel with DP66 pull). Optional designer pulls available.
- Filler jambs for wall offsets.

Models/Configurations:

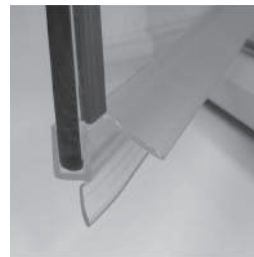
- **VSDJ** swing door
- **VS-180** swing door and inline panel
- **VS-280** swing door between two inline panels
- **VS-90** swing door and return panel
- **VS-90B** swing door and return panel on buttress
- **VS-290** swing door, inline panel and return panel
- **VS-290B** swing door, notched inline panel and return panel on buttress
- **VS-NEO** swing door between two 135 degree inline panels



Compression mounted easy-grip handle.



Innovative continuous hinge design provides superior durability.



Superior water retention featuring a full-length magnetic door closure system, a one piece clear polycarbonate drip deflector with clear vinyl sweep, and a low profile water dam.



Contemporary smooth faced frame creates a striking enclosure to match any decor.

ORDER AS MODEL # FOLLOWED BY OPTION SUFFIX
EXAMPLE: VSDJ-32-70.5-LH-SD-S/C-EC10

MODEL # ⁽¹⁾	WIDTH ('A') ^(2,3)	HEIGHT ('B')
VSDJ-23.5	23 1/2" - 24 1/2"	66 1/2"
VSDJ-25	25" - 26"	66 1/2"
VSDJ-26	26" - 27"	66 1/2"
VSDJ-27	27" - 28"	66 1/2"
VSDJ-27.5	27 1/2" - 28 1/2"	66 1/2"
VSDJ-28	28" - 29"	66 1/2"
VSDJ-28.5	28 1/2" - 29 1/2"	66 1/2"
VSDJ-29	29" - 30"	66 1/2"
VSDJ-29.5	29 1/2" - 30 1/2"	66 1/2"
VSDJ-30	30" - 31"	66 1/2"
VSDJ-30.5	30 1/2" - 31 1/2"	66 1/2"
VSDJ-31	31" - 32"	66 1/2"
VSDJ-32	32" - 33"	66 1/2"
VSDJ-32.5	32 1/2" - 33 1/2"	66 1/2"
VSDJ-33	33" - 34"	66 1/2"
VSDJ-33.5	33 1/2" - 34 1/2"	66 1/2"
VSDJ-34	34" - 35"	66 1/2"
CUSTOM SIZE -		
VSDJ-Q ⁽⁴⁾	UP TO 36"	66 1/2"

NOTES

- (1) Swing door is non-reversible, specify hinge swing.
- (2) Prior to ordering, confirm that enclosure's adjustment range fits both top and bottom width of finished opening.
- (3) If walls are not flat, filler jambs may be required, contact for more info.
- (4) Fill out Custom Door Quote Request Form.
- (5) Width restrictions apply, contact for more info.
- (6) Refer to Options spec sheet for other Handle options.

HEIGHT (optional)

63	63" Height
70.5	70 1/2" Height
75	75" Height ⁽⁵⁾
_____	Custom Height up to 75" ⁽⁵⁾

DOOR SWING ⁽¹⁾

LH	Left Hand Hinge
RH	Right Hand Hinge

OPTIONS

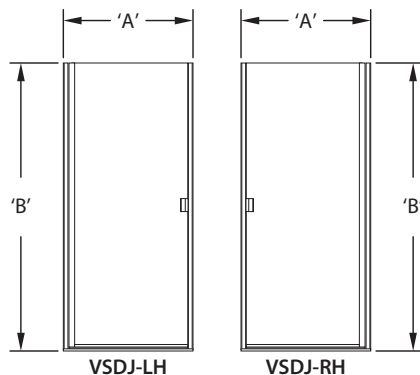
F	Filler Jamb (for wall offset) ⁽³⁾
SD	Silhouette Door (6mm door panel w/ DP66 pull) ⁽⁵⁾
X	Extended Jamb (allows 2" adjustment range)

FINISH

BN	Brushed Nickel
G	Gold (Polished Brass)
MB	Matte Black
ORB	Oil Rub Bronze
S	Silver (Chrome)
SS	Satin Silver

GLASS

BR	Bronze
C	Clear
GY	Gray
GL	Gluechip
O	Obscure
R	Rain
V	Velvex
EC10	EasyClean10 Glass Treatment



ORDER AS MODEL # FOLLOWED BY OPTION SUFFIX
EXAMPLE: VS-180-47.5-73-SD-S/C-EC10

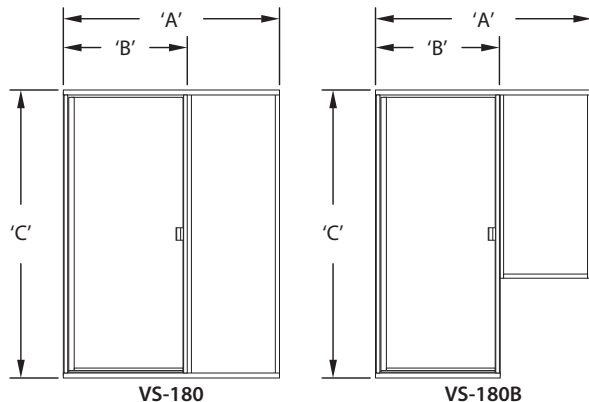
MODEL #	WIDTH ('A') ^(1,2)	DOOR ('B') ⁽³⁾	HEIGHT ('C')
VS-180-35.5	35 1/2" - 37"	28"	69"
VS-180-36.5	36 1/2" - 38"	30"	69"
VS-180-37	37" - 38 1/2"	30"	69"
VS-180-38	38" - 39 1/2"	30"	69"
VS-180-39.5	39 1/2" - 41"	30"	69"
VS-180-41	41" - 42 1/2"	30"	69"
VS-180-42	42" - 43 1/2"	30"	69"
VS-180-43	43" - 44 1/2"	30"	69"
VS-180-44	44" - 45 1/2"	30"	69"
VS-180-45	45" - 46 1/2"	30"	69"
VS-180-45.5	45 1/2" - 47"	30"	69"
VS-180-47.5	47 1/2" - 48"	30"	69"
VS-180-51.5	51 1/2" - 53"	30"	69"
VS-180-52	52" - 53 1/2"	30"	69"
VS-180-53	53" - 54 1/2"	30"	69"
VS-180-54	54" - 55 1/2"	30"	69"
VS-180-55	55" - 56 1/2"	30"	69"
VS-180-56	56" - 57 1/2"	30"	69"
VS-180-57	57" - 58 1/2"	30"	69"
VS-180-57.5	57 1/2" - 59"	30"	69"
VS-180-63.5	63 1/2" - 65"	30"	69"
VS-180-69.5	69 1/2" - 71"	30"	69"
VS-180-4844	Hytec AC4844/5/6	30"	73"

CUSTOM SIZE -

VS-180-Q ⁽⁴⁾	UP TO 72"	UP TO 36"	69"
VS-180B-Q ⁽⁴⁾	UP TO 72"	UP TO 36"	69"

NOTES

- (1) Prior to ordering, confirm that enclosure's adjustment range fits both top and bottom width of finished opening.
- (2) If walls are not flat, filler jambs may be required, contact for more info.
- (3) Swing door can be located on left or right side of inline panel and can be hinged on left or right.
- (4) Fill out Custom Door Quote Request Form.
- (5) Swing door width restrictions apply, contact for more info.
- (6) Refer to Options spec sheet for other Handle options.



HEIGHT (optional)

65.5	65 1/2" Height
73	73" Height
77.5	77 1/2" Height ⁽⁵⁾
_____	Custom Height up to 77 1/2" ⁽⁵⁾

OPTIONS

F	Filler Jamb (for wall offset) ⁽²⁾
SD	Silhouette Door (6mm door panel w/ DP66 pull) ⁽⁶⁾

FINISH

BN	Brushed Nickel
G	Gold (Polished Brass)
MB	Matte Black
ORB	Oil Rub Bronze
S	Silver (Chrome)
SS	Satin Silver

GLASS

BR	Bronze
C	Clear
GY	Gray
GL	Gluechip
O	Obscure
R	Rain
V	Velvex
EC10	EasyClean10 Glass Treatment

ORDER AS MODEL # FOLLOWED BY OPTION SUFFIX
EXAMPLE: VS-280-57-73-SD-S/C-EC10

MODEL #	WIDTH ('A') ^(1,2)	DOOR ('B') ⁽³⁾	HEIGHT ('C')
VS-280-51.5	51 1/2" - 53"	30"	69"
VS-280-52	52" - 53 1/2"	30"	69"
VS-280-53	53" - 54 1/2"	30"	69"
VS-280-54	54" - 55 1/2"	30"	69"
VS-280-55	55" - 56 1/2"	30"	69"
VS-280-56	56" - 57 1/2"	30"	69"
VS-280-57	57" - 58 1/2"	30"	69"
VS-280-57.5	57 1/2" - 59"	30"	69"
VS-280-63.5	63 1/2" - 65"	30"	69"
VS-280-69.5	69 1/2" - 71"	30"	69"
CUSTOM SIZE -			
VS-280-Q ⁽⁴⁾	UP TO 72"	UP TO 36"	69"
VS-280B-Q ⁽⁴⁾	UP TO 72"	UP TO 36"	69"
VS-280BB-Q ⁽⁴⁾	UP TO 72"	UP TO 36"	69"

NOTES

- (1) Prior to ordering, confirm that enclosure's adjustment range fits both top and bottom width of finished opening.
- (2) If walls are not flat, filler jambs may be required, contact for more info.
- (3) Swing door can be hinged on left or right.
- (4) Fill out Custom Door Quote Request Form.
- (5) Swing door width restrictions apply, contact for more info.
- (6) Refer to Options spec sheet for other Handle options.

HEIGHT (optional)

65.5	65 1/2" Height
73	73" Height
77.5	77 1/2" Height ⁽⁵⁾
_____	Custom Height up to 77 1/2" ⁽⁵⁾

OPTIONS

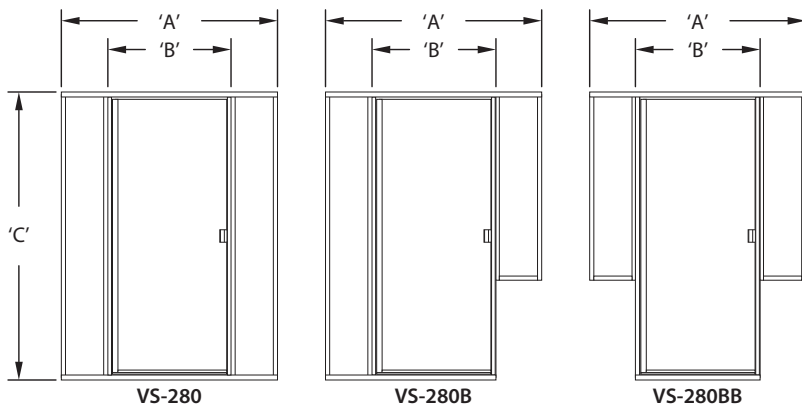
F	Filler Jamb (for wall offset) ⁽²⁾
SD	Silhouette Door (6mm door panel w/ DP66 pull) ⁽⁶⁾

FINISH

BN	Brushed Nickel
G	Gold (Polished Brass)
MB	Matte Black
ORB	Oil Rub Bronze
S	Silver (Chrome)
SS	Satin Silver

GLASS

BR	Bronze
C	Clear
GY	Gray
GL	Gluechip
O	Obscure
R	Rain
V	Velvex
EC10	EasyClean10 Glass Treatment

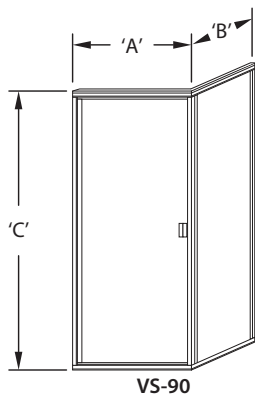


ORDER AS MODEL # FOLLOWED BY OPTION SUFFIX
EXAMPLE: VS-90-34-73-SD-S/C-EC10

MODEL #	CENTRELINE ^(1,2) ('A') x ('B')	HEIGHT ('C')
VS-90-29.5	29 1/2" x 29 1/2"	69"
VS-90-30	30" x 30"	69"
VS-90-30.5	30 1/2" x 30 1/2"	69"
VS-90-31	31" x 31"	69"
VS-90-31.5	31 1/2" x 31 1/2"	69"
VS-90-32	32" x 32"	69"
VS-90-32.5	32 1/2" x 32 1/2"	69"
VS-90-33	33" x 33"	69"
VS-90-33.5	33 1/2" x 33 1/2"	69"
VS-90-34	34" x 34"	69"
VS-90-34.5	34 1/2" x 34 1/2"	69"
VS-90-35	35" x 35"	69"
VS-90-35.5	35 1/2" x 35 1/2"	69"
CUSTOM SIZE -		
VS-90-Q ⁽³⁾	UP TO 36" X 36"	69"

NOTES

- (1) Swing door can be located on front or return (side 'A' or 'B') and can be hinged on left or right.
- (2) If walls are not flat, filler jambs may be required, contact for more info.
- (3) Fill out Custom Door Quote Request Form.
- (4) Swing door width restrictions apply, contact for more info.
- (5) Refer to Options spec sheet for other Handle options.



HEIGHT (optional)

73	73" Height
77.5	77 1/2" Height ⁽⁴⁾
_____	Custom Height up to 77 1/2" ⁽⁴⁾

OPTIONS

F	Filler Jamb (for wall offset) ⁽²⁾
SD	Silhouette Door (6mm door panel w/ DP66 pull) ⁽⁵⁾

FINISH

BN	Brushed Nickel
G	Gold (Polished Brass)
MB	Matte Black
ORB	Oil Rub Bronze
S	Silver (Chrome)
SS	Satin Silver

GLASS

BR	Bronze
C	Clear
GY	Gray
GL	Gluechip
O	Obscure
R	Rain
V	Velvex
EC10	EasyClean10 Glass Treatment

ORDER AS MODEL # FOLLOWED BY OPTION SUFFIX
EXAMPLE: VS-90B-9180-73-SD-S/C-EC10

MODEL #	CENTRELINE ^(1,2) ('A') x ('B')	HEIGHT ('C')
VS-90B-9180	HYTEC AC9180	69"
VS-90B-9181	HYTEC AC9181	69"
VS-90B-9376	HYTEC AC9376	69"
VS-90B-9377	HYTEC AC9377	69"
CUSTOM SIZE -		
VS-90B-Q ⁽³⁾	UP TO 36" X 36"	69"

NOTES

- (1) Swing door can be hinged on left or right.
- (2) If walls are not flat, filler jambs may be required, contact for more info.
- (3) Fill out Custom Door Quote Request Form.
- (4) Swing door width restrictions apply, contact for more info.
- (5) Refer to Options spec sheet for other Handle options.

HEIGHT (optional)

73	73" Height
77.5	77 1/2" Height ⁽⁴⁾
_____	Custom Height up to 77 1/2" ⁽⁴⁾

OPTIONS

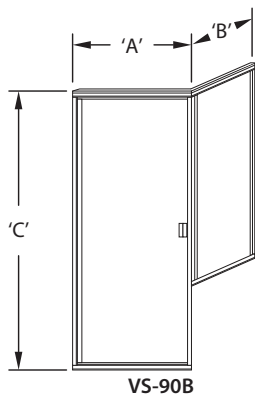
F	Filler Jamb (for wall offset) ⁽²⁾
SD	Silhouette Door (6mm door panel w/ DP66 pull) ⁽⁵⁾

FINISH

BN	Brushed Nickel
G	Gold (Polished Brass)
MB	Matte Black
ORB	Oil Rub Bronze
S	Silver (Chrome)
SS	Satin Silver

GLASS

BR	Bronze
C	Clear
GY	Gray
GL	Gluechip
O	Obscure
R	Rain
V	Velvex
EC10	EasyClean10 Glass Treatment



ORDER AS MODEL # FOLLOWED BY OPTION SUFFIX
EXAMPLE: VS-290-6030-73-SD-S/C-EC10

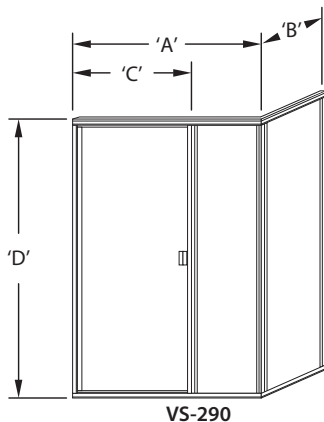
MODEL #	CENTRELINE ⁽¹⁾ ('A') x ('B')	DOOR ('C') ⁽²⁾	HEIGHT ('D')
VS-290-4232	39 1/2" x 29 1/2"	30"	69"
VS-290-4236	39 1/2" x 33 1/2"	30"	69"
VS-290-4242	39 1/2" x 39 1/2"	30"	69"
VS-290-4830	45 1/2" x 27 1/2"	30"	69"
VS-290-4832	45 1/2" x 29 1/2"	30"	69"
VS-290-4834	45 1/2" x 31 1/2"	30"	69"
VS-290-4836	45 1/2" x 33 1/2"	30"	69"
VS-290-4842	45 1/2" x 39 1/2"	30"	69"
VS-290-4848	45 1/2" x 45 1/2"	30"	69"
VS-290-6030	57 1/2" x 27 1/2"	30"	69"
VS-290-6032	57 1/2" x 29 1/2"	30"	69"
VS-290-6034	57 1/2" x 31 1/2"	30"	69"
VS-290-6036	57 1/2" x 33 1/2"	30"	69"
VS-290-6042	57 1/2" x 39 1/2"	30"	69"
VS-290-6632	63 1/2" x 29 1/2"	30"	69"
VS-290-6636	63 1/2" x 33 1/2"	30"	69"
VS-290-7232	69 1/2" x 29 1/2"	30"	69"
VS-290-7236	69 1/2" x 33 1/2"	30"	69"

CUSTOM SIZE -

VS-290-Q ⁽³⁾ **UP TO 108" TOTAL** **UP TO 36"** **UP TO 69"**

NOTES

- (1) If walls are not flat, filler jambs may be required, contact for more info.
- (2) Swing door can be located on left or right side of inline panel and can be hinged on left or right.
- (3) Fill out Custom Door Quote Request Form.
- (4) Swing door width restrictions apply, contact for more info.
- (5) Refer to Options spec sheet for other Handle options.



HEIGHT (optional)

73 73" Height
77.5 77 1/2" Height ⁽⁴⁾
 _____ Custom Height up to 77 1/2" ⁽⁴⁾

OPTIONS

F Filler Jamb (for wall offset) ⁽¹⁾
SD Silhouette Door (6mm door panel w/ DP66 pull) ⁽⁵⁾

FINISH

BN Brushed Nickel
G Gold (Polished Brass)
MB Matte Black
ORB Oil Rub Bronze
S Silver (Chrome)
SS Satin Silver

GLASS

BR Bronze
C Clear
GY Gray
GL Gluechip
O Obscure
R Rain
V Velvex
EC10 EasyClean10 Glass Treatment

ORDER AS MODEL # FOLLOWED BY OPTION SUFFIX
EXAMPLE: VS-290B-9190-73-SD-S/C-EC10

MODEL #	CENTRELINE ⁽¹⁾ ('A') x ('B')	DOOR ('C') ⁽²⁾	HEIGHT ('D')
VS-290B-4824 ⁽³⁾	Hytec 4824	28"	69"
VS-290B-4825 ⁽³⁾	Hytec 4825	28"	69"
VS-290B-9190	Hytec AC9190	30"	69"
VS-290B-9191	Hytec AC9191	30"	69"
VS-290B-10836	Hytec AC10836	30"	69"
VS-290B-10837	Hytec AC10837	30"	69"
CUSTOM SIZE -			
VS-290B-Q ⁽⁴⁾	UP TO 108" TOTAL	UP TO 36"	69"
VS-290BB-Q ⁽⁴⁾	UP TO 108" TOTAL	UP TO 36"	69"

NOTES

- (1) If walls are not flat, filler jambs may be required, contact for more info.
- (2) Swing door can be located on left or right side of inline panel and can be hinged on left or right.
- (3) Not available with taller height
- (4) Fill out Custom Door Quote Request Form.
- (5) Swing door width restrictions apply, contact for more info.
- (6) Refer to Options spec sheet for other Handle options.

HEIGHT (optional)

73	73" Height
77.5	77 1/2" Height ⁽⁵⁾
_____	Custom Height up to 77 1/2" ⁽⁵⁾

OPTIONS

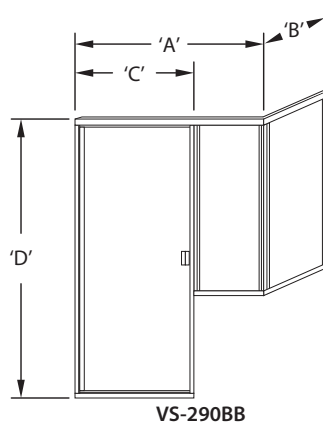
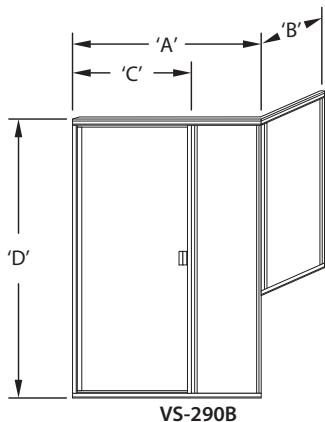
F	Filler Jamb (for wall offset) ⁽¹⁾
SD	Silhouette Door (6mm door panel w/ DP66 pull) ⁽⁶⁾

FINISH

BN	Brushed Nickel
G	Gold (Polished Brass)
MB	Matte Black
ORB	Oil Rub Bronze
S	Silver (Chrome)
SS	Satin Silver

GLASS

BR	Bronze
C	Clear
GY	Gray
GL	Gluechip
O	Obscure
R	Rain
V	Velvex
EC10	EasyClean10 Glass Treatment



ORDER AS MODEL # FOLLOWED BY OPTION SUFFIX
EXAMPLE: VS-NEO-17-73-SD-S/C-EC10

MODEL #	CENTRELINE ('A' x 'B' x 'C') ^(1, 2)	HEIGHT ('D')	HEIGHT (optional)
VS-NEO-1	HYTEC: 3636N	69"	73 73" Height
VS-NEO-3	MAAX: 105042 (+WALLS), CSS36, SECCSS36; VENCO: 3636NEO SPLIT	69"	77.5 77 1/2" Height ⁽⁴⁾ _____ Custom Height up to 77 1/2" ⁽⁴⁾
VS-NEO-5	MAAX: CSS40	69"	OPTIONS
VS-NEO-7	VENCO: 3636NEO	69"	F Filler Jamb (for wall offset) ⁽¹⁾
VS-NEO-9	MAAX: 101424 (+WALLS);	69"	SD Silhouette Door (6mm door panel w/ DP66 pull) ⁽⁵⁾
VS-NEO-10	VENCO: 36BILLY BASE, 36NEO BASE, 3838 NEO, AVB36N	69"	FINISH
VS-NEO-11	VENCO: AVB42N	69"	BN Brushed Nickel
VS-NEO-12	MAAX: BRIO-II	69"	G Gold (Polished Brass)
VS-NEO-13	ACRITEC: 61021A; HYTEC: ACR3794N, GR36N (+WALLS); MAAX: FREESTYLE 37	69"	MB Matte Black
VS-NEO-15	MAAX: 101423 (+WALLS)	69"	ORB Oil Rub Bronze
VS-NEO-16	MAAX: 101425 (+WALLS)	69"	S Silver (Chrome)
VS-NEO-17	ACRITEC: 61041; HYTEC: ACR3795N	69"	SS Satin Silver
VS-NEO-20	ACRITEC: 61011A	69"	GLASS
VS-NEO-21	ACRITEC: 61022	69"	BR Bronze
VS-NEO-22	ACRITEC: 61030	69"	C Clear
VS-NEO-23	ACRITEC: 61031	69"	GY Gray
VS-NEO-24	ACRITEC: 61032	69"	GL Gluechip
VS-NEO-26	ACRITEC: 61042	69"	O Obscure
VS-NEO-28	MAAX: FREESTYLE 40	69"	R Rain
CUSTOM SIZE -			V Velvex
VS-NEO-Q ⁽³⁾	UP TO 96" TOTAL	69"	EC10 EasyClean10 Glass Treatment

NOTES

- (1) If walls are not flat, filler jambs may be required, contact for more info.
- (2) Swing door can be hinged on left or right.
- (3) Fill out Custom Door Quote Request Form.
- (4) Swing door width restrictions apply, contact for more info.
- (5) Refer to Options spec sheet for other Handle options.

