

STANDARD HEIGHT IS 60 1/2"  
(UNLESS OTHERWISE NOTED)

**CLEAR GLASS LIST PRICING**

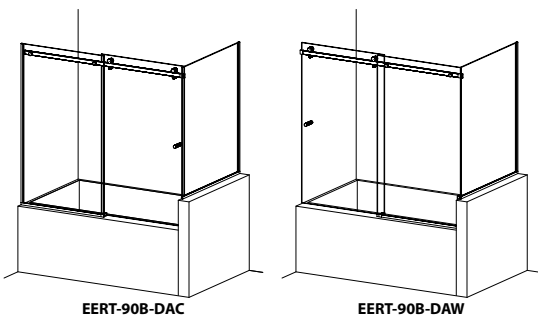
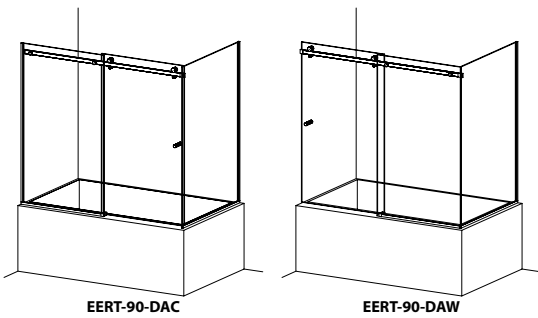
FOR OTHER GLASS TYPES REFER TO OPTIONS

MODEL #	FITS OPENINGS (Front x Return)	CLEAR GLASS LIST PRICING	
		POLISHED STAINLESS STEEL (CHROME)	BRUSHED STAINLESS STEEL (BRUSHED NICKEL)
<b>EERT-90-Q</b> FILL OUT CUSTOM DOOR QUOTE REQUEST FORM AND SUBMIT WITH ORDER	CUSTOM SIZED ENCLOSURE	CONTACT FOR PRICING	
<b>EERT-90B-Q</b> FILL OUT CUSTOM DOOR QUOTE REQUEST FORM AND SUBMIT WITH ORDER	CUSTOM SIZED ENCLOSURE	CONTACT FOR PRICING	

NOTES -

- Refer to specification sheet for complete product information.
- **Backing is required at enclosure centreline.**
- **Specify any outage, offset or raised surface in wall. Contact for assistance.**
- **Specify if sliding panel is to close against corner (suffix -DAC) or against wall (suffix -DAW).**

(1) For textured glass and EasyClean10 treatment, specify if return panel is to be on left or right.



**OPTIONS**

SUFFIX	DESCRIPTION	LIST \$
EC10	DESIGNER GLASS - BRONZE, BUBBLES <sup>(1)</sup> , FLASH <sup>(1)</sup> , GLUECHIP <sup>(1)</sup> GRAY, RAIN <sup>(1)</sup> , SATIN ETCH <sup>(1)</sup> , STARPHIRE EASYCLEAN10 GLASS TREATMENT <sup>(1)</sup>	CONTACT CONTACT CONTACT
OAH__"	DESIGNER HANDLES DESIGNER ACCESSORIES CUSTOM HEIGHT UP TO 65-1/2"	p. 63 p. 64 CONTACT