

**STANDARD HEIGHT IS 74"**  
(UNLESS OTHERWISE NOTED)

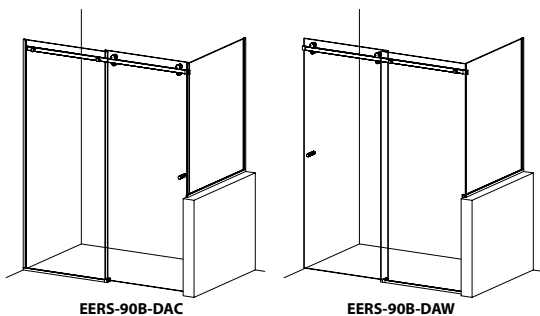
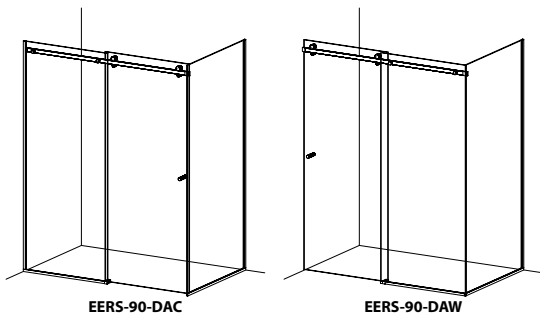
**CLEAR GLASS LIST PRICING**  
**FOR OTHER GLASS TYPES REFER TO OPTIONS**

MODEL #	FITS OPENINGS (Front x Return)	CLEAR GLASS LIST PRICING	
		POLISHED STAINLESS STEEL (CHROME)	BRUSHED STAINLESS STEEL (BRUSHED NICKEL)
EERS-90-2	45 1/2" X 27 1/2"	CONTACT FOR PRICING	
EERS-90-3	45 1/2" X 29 1/2"	CONTACT FOR PRICING	
EERS-90-4	45 1/2" X 31 1/2"	CONTACT FOR PRICING	
EERS-90-5	45 1/2" X 33 1/2"	CONTACT FOR PRICING	
EERS-90-6	45 1/2" X 39 1/2"	CONTACT FOR PRICING	
EERS-90-7	45 1/2" X 45 1/2"	CONTACT FOR PRICING	
EERS-90-8	51 1/2" X 31 1/2"	CONTACT FOR PRICING	
EERS-90-9	57 1/2" X 27 1/2"	CONTACT FOR PRICING	
EERS-90-10	57 1/2" X 29 1/2"	CONTACT FOR PRICING	
EERS-90-11	57 1/2" X 31 1/2"	CONTACT FOR PRICING	
EERS-90-12	57 1/2" X 33 1/2"	CONTACT FOR PRICING	
<b>EERS-90-Q</b> FILL OUT CUSTOM DOOR QUOTE REQUEST FORM AND SUBMIT WITH ORDER	CUSTOM SIZED ENCLOSURE	CONTACT FOR PRICING	
<b>EERS-90B-Q</b> FILL OUT CUSTOM DOOR QUOTE REQUEST FORM AND SUBMIT WITH ORDER	CUSTOM SIZED ENCLOSURE	CONTACT FOR PRICING	

**NOTES -**

- Refer to specification sheet for complete product information.
- **Backing is required at enclosure centreline.**
- **Specify any outage, offset or raised surface in wall. Contact for assistance.**
- **Specify if sliding panel is to close against corner (suffix -DAC) or against wall (suffix -DAW).**

(1) For textured glass and EasyClean10 treatment, specify if return panel is to be on left or right.



**OPTIONS**

SUFFIX	DESCRIPTION	LIST \$
EC10	DESIGNER GLASS - BRONZE, BUBBLES <sup>(1)</sup> , FLASH <sup>(1)</sup> , GLUECHIP <sup>(1)</sup> GRAY, RAIN <sup>(1)</sup> , SATIN ETCH <sup>(1)</sup> , STARPHIRE EASYSLEANT10 GLASS TREATMENT <sup>(1)</sup>	CONTACT CONTACT CONTACT
OAH__"	DESIGNER HANDLES DESIGNER ACCESSORIES CUSTOM HEIGHT UP TO 84"	p. 63 p. 64 CONTACT