

STANDARD HEIGHT IS 60 1/2"
(UNLESS OTHERWISE NOTED)

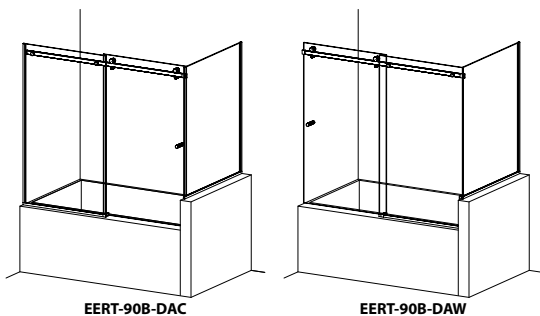
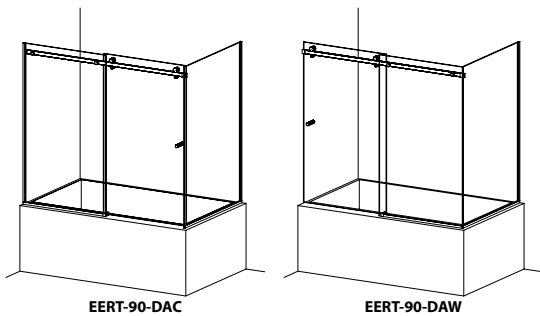
CLEAR (C) GLASS LIST PRICING
FOR OTHER GLASS TYPES REFER TO OPTIONS

MODEL # ⁽¹⁾	CENTRELINE (Front x Return)	POLISHED STAINLESS STEEL (PS)	BRUSHED STAINLESS STEEL (BS)
EERT-90-Q FILL OUT CUSTOM DOOR QUOTE REQUEST FORM AND SUBMIT WITH ORDER	CUSTOM SIZED ENCLOSURE	CONTACT FOR PRICING	
EERT-90B-Q FILL OUT CUSTOM DOOR QUOTE REQUEST FORM AND SUBMIT WITH ORDER	CUSTOM SIZED ENCLOSURE	CONTACT FOR PRICING	

NOTES -

- Refer to specification sheet for complete product information.
- Wood backing is required at enclosure centreline.
- **Can not be used on fabricated shower walls.**

(1) Specify if sliding panel is to close against corner (suffix **-DAC**) or against wall (suffix **-DAW**).



OPTIONS

SUFFIX	DESCRIPTION	LIST \$
BR, GY	DESIGNER GLASS - BRONZE, GRAY	CONTACT
BB, GL, R	BUBBLES, GLUECHIP, RAIN	CONTACT
SE, ST	SATIN ETCH, STARPHIRE	CONTACT
EC10	EASYSLEAK10 GLASS TREATMENT	CONTACT
	DESIGNER HANDLES	p. 66
	DESIGNER ACCESSORIES	p. 67
	CUSTOM HEIGHT UP TO 65-1/2"	CONTACT